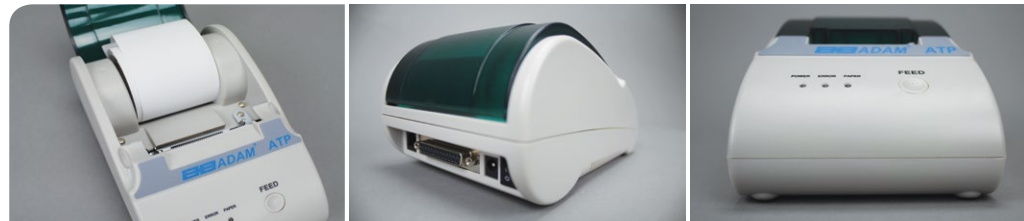




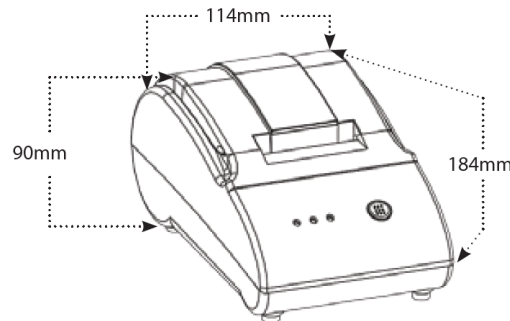
A general purpose thermal roll printer, the ATP is ideal for use with most balances and scales. Designed to be efficient and compact, the printer occupies minimal space on a bench or tabletop. Operation is simple, with an on/off switch, paper feed button and three LED indicators. Ideal for printing applications, the ATP is able to perform a variety of other commands, such as setting tabs, spacing and carriage return. Users can specify absolute position, select or disable double width, and designate line feed. The printer is preset to work with the default RS232 interface on Adam balances, but adapts easily to work with other equipment.

Print results quickly and easily



Features

- Dimensions: 114 mm x 184 mm x 90 mm
- Print size 24 x 24 dot
- Column size 384 dots per line
- 57.5mm paper width



About ADAM:

For more than 40 years, professionals worldwide have relied on Adam Equipment for an extensive selection of dependable and affordable weighing equipment. Adam provides the right balance of speed, performance and value.

Supplied by